

TOSOT

Submission Data: TW24HQ3D6D 24,000 BTU/H Wall Mounted Heat- Pump System

Job Name Location Date

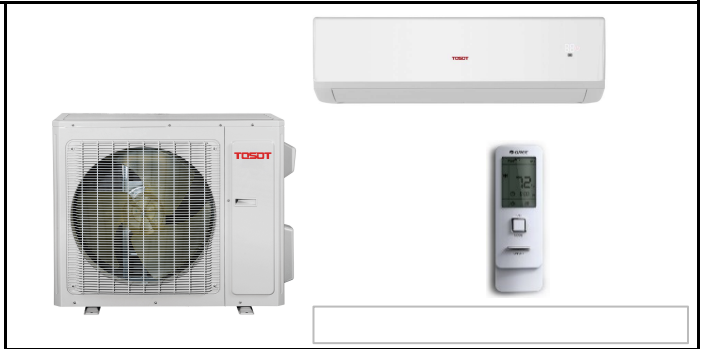
Purchaser Engineer

Submitted To For Reference Approval Construction

Unit Designation Schedule No.

GENERAL FEATURES

- Variable Speed (Inverter) Two-Stage Compressor
- Low Ambient Heating (down to -22° F)
- Wi Fi Controls
- 7 Indoor Fan Speeds
- 4 Way Airflow Operation
- Wireless Remote with LCD Display
- Copper Tube/Aluminum Fins w/ Acrylic Resin Anti-Corrosion Coating on both ID and OD units
- I-FEEL Function
- 5 year Limited Parts Warranty, 7year limited compressor warranty



System Ratings

| | |
|-------------------|---------------------|
| Cooling | |
| Rated Capacity | 22,000 BTU/H |
| Capacity Range | 6,800 -30,700 BTU/H |
| Power Input (Max) | 3,700 W |
| SEER | 21.5 |
| EER | 13.0 |

| | |
|-------------------------|---------------------|
| Heating at 47° F | |
| Rated Capacity | 24,000 BTU/H |
| Capacity Range | 6,800 -32,000 BTU/H |
| Power Input (Max) | 3,700 W |
| HSPF | 12.0 |
| COP | 3.5 |

| | |
|-------------------------|--------------|
| Heating at 17° F | |
| Rated Capacity | 15,500 BTU/H |

| | | |
|------------------------|-------|---------------|
| Operating Range | | |
| Cooling | (Max) | 129°F (54°C) |
| | (Min) | 0°F (-18°C) |
| Heating | (Max) | 75°F (24°C) |
| | (Min) | -22°F (-30°C) |

| | |
|---------------------------------|---------------------------|
| Power Supply | |
| Normal Operational Voltage | 208/230 V, 1 Phase, 60 Hz |
| Voltage Range | 187 - 253 V |
| Main Power Wire Size | 8-2 AWG |
| Interconnecting Cable Wire Size | 14-4 AWG |
| MCA | 22 A |
| MOCP/Breaker Size | 35 A |

Indoor Unit Data

| | | |
|-------------------------|--------------------|-------------|
| Fan Motor | Type | Cross-flow |
| | Output Power | 70 W |
| | FLA | 0.38 A |
| Airflow | (Low/High) | 383/765 CFM |
| Air Throw | (Max) | 29.5 ft |
| Sound Level | | |
| | Cooling (Low/High) | 34/59 dB(A) |
| | Heating (Low/High) | 34/59 dB(A) |
| Dehumidification | | 4.23 pt/hr |

Outdoor Unit Data

| | | |
|--------------------|--------------|-----------------------------------|
| Compressor | Type | DC Inverter Driven 2-Stage Rotary |
| | RLA | 16 A |
| Fan Motor | Output Power | 90 W |
| | RLA | 0.65 A |
| Sound Level | | 59 dB(A) |

Refrigerant Piping Data

| | |
|--------------------------------|---------------|
| Gas Pipe Size (OD) | 5/8-in |
| Liquid Pipe Size (OD) | 1/4-in |
| Connection Method | Flared |
| Factory Charge | R410A/81.1 oz |
| Additional Charge | 0.50 oz/ft |
| Pre-Charge Length | 25-ft |
| MAX Refrigerant Pipe Length | 164-ft |
| MIN Refrigerant Pipe Length | 10-ft |
| MAX Refrigerant Pipe Elevation | 98.4-ft |



| SYSTEM FEATURES | |
|------------------------------------|------------------------------|
| Inverter Type | G10 |
| Ultra Low Frequency Torque Control | Yes |
| Power Factor Correction | Yes |
| Compressor Type | High Eff. Two Stage Rotary |
| Refrigerant Type | R410A |
| Basepan With Electric Heater | YES |
| Compressor With Electric Heater | YES |
| Indoor & Outdoor Fin Coating | Acrylic Resin/Anti-Corrosion |
| Intelligent Defrosting | YES |
| Intelligent Preheating | YES |
| Low Voltage Startup | YES |
| Memory/Power Failure Recovery | YES |
| Self Diagnosis | YES |
| Wired Controller Interface | NO |
| Wi-Fi Interface Capable | YES |
| Indoor Fan Type | Crossflow |
| Multi Fan Speeds | 7 Speeds |
| Indoor Unit Display | YES |
| Advance Filter | Optional (see Filter Kits) |
| Auxiliary Electrical Heater | NO |
| Ventilation (Outdoor Air) | NO |

| REMOTE CONTROLLER FUNCTIONS | |
|------------------------------------|-----|
| Auto Mode | YES |
| Auto Fan | YES |
| Auto Swing (Horizontal Auto Swing) | YES |
| Auto Swing (Vertical Auto Swing) | YES |
| Clock on Remote Controller | YES |
| Dry Mode | YES |
| Dry Anti-Mildew (X-Fan) Mode | YES |
| Energy Saving Mode | NO |
| Dirty Filter Alert | NO |
| I Feel Function | YES |
| Lock on Remote Controller | YES |
| Quiet Mode | YES |
| Room Temperature Display | NO |
| Sleep Mode | YES |
| 4 Sleep Modes Options | YES |
| Timer Mode | YES |
| Turbo Mode | YES |
| Display On/Off Control | YES |
| Freeze Guard Mode | NO |
| Display On/Off Control | YES |

COOLING PERFORMANCE (BtuH)*

| Outdoor Ambient Temperature (DB) °F | Indoor Entering Air Temperatures | | | | | |
|-------------------------------------|----------------------------------|-------|---------|-------|---------|-------|
| | 68F DB | | 73°F DB | | 80°F DB | |
| | 57F WB | | 61°FWB | | 67°FWB | |
| | TC | SHC | TC | SHC | TC | SHC |
| 0°F | 13521 | 10599 | 14165 | 11104 | 15894 | 12459 |
| 5°F | 14036 | 11008 | 14828 | 11625 | 16735 | 13125 |
| 14°F | 14395 | 11291 | 15202 | 11922 | 17373 | 13623 |
| 23°F | 15378 | 12063 | 16449 | 12902 | 18847 | 14782 |
| 32°F | 18649 | 14626 | 19947 | 15643 | 21846 | 17129 |
| 41°F | 21120 | 16565 | 22440 | 17597 | 23980 | 18808 |
| 50°F | 20871 | 16371 | 22198 | 17411 | 23760 | 18637 |
| 59°F | 20357 | 15963 | 21677 | 17003 | 23540 | 18466 |
| 68°F | 19844 | 15562 | 21164 | 16602 | 23100 | 18117 |
| 77°F | 19338 | 15168 | 20651 | 16193 | 22660 | 17775 |
| 86°F | 18692 | 14661 | 19998 | 15682 | 21896 | 17176 |
| 95°F | 18781 | 14730 | 20093 | 15755 | 22000 | 17255 |
| 104°F | 17769 | 13936 | 19035 | 14930 | 21054 | 16515 |
| 113°F | 16450 | 12902 | 17652 | 13846 | 19724 | 15473 |
| 122°F | 14879 | 11668 | 16001 | 12544 | 17925 | 14055 |
| 129°F | 13775 | 10803 | 14693 | 11522 | 16530 | 12967 |

HEATING PERFORMANCE (BtuH)*

| Outdoor Ambient Temperature (DB) | Indoor Entering Air Temperatures | | | | | |
|----------------------------------|----------------------------------|-----|---------|-----|---------|-----|
| | 68°F DB | | 73°F DB | | 80°F DB | |
| | 57°FWB | | 61°FWB | | 67°FWB | |
| | TC | SHC | TC | SHC | TC | SHC |
| -22°F | 14194 | | 13955 | | 13699 | |
| -13°F | 18752 | | 18437 | | 18098 | |
| -4°F | 23362 | | 22969 | | 22547 | |
| 0°F | 24013 | | 23614 | | 23161 | |
| 6°F | 24233 | | 23826 | | 23379 | |
| 10°F | 24726 | | 24313 | | 23851 | |
| 16°F | 25215 | | 24795 | | 24313 | |
| 19°F | 25697 | | 25277 | | 24782 | |
| 24°F | 25909 | | 25517 | | 25080 | |
| 32°F | 26103 | | 25750 | | 25356 | |
| 41°F | 27424 | | 27102 | | 26723 | |
| 43°F | 27972 | | 27642 | | 27276 | |
| 47°F | 29278 | | 28771 | | 28191 | |
| 53°F | 29568 | | 29052 | | 28472 | |
| 59°F | 30248 | | 29713 | | 29115 | |
| 64°F | 30891 | | 30347 | | 29740 | |
| 70°F | 31470 | | 30927 | | 30302 | |
| 75°F | 31914 | | 31353 | | 30728 | |
| 78°F | 32360 | | 31790 | | 31156 | |

* Maximum system capacity

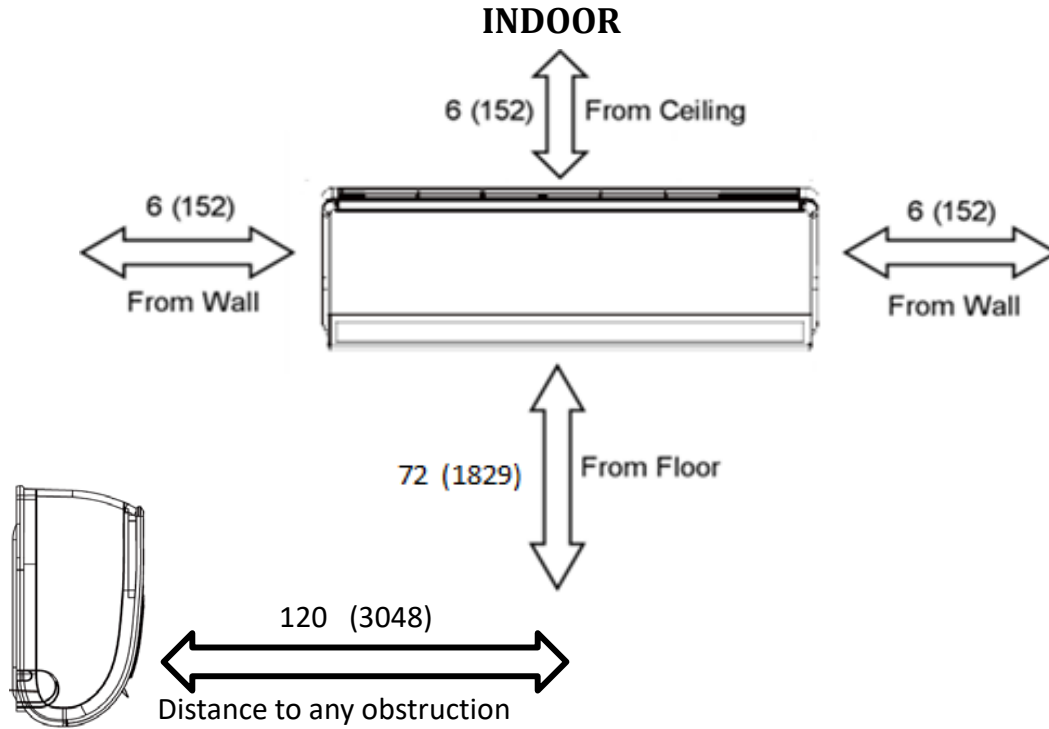
TC- Total Capacity (BtuH)

SHC- Sensible Capacity (BtuH)

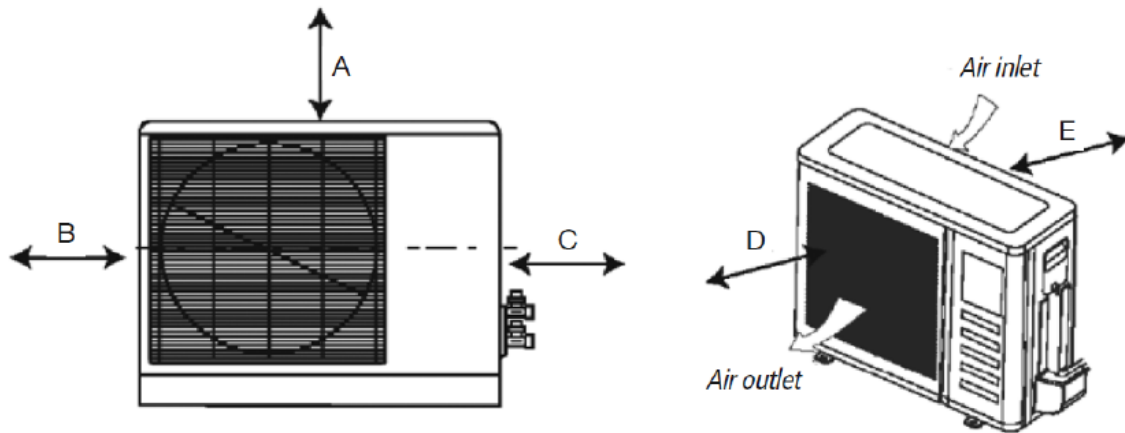
DIMENSIONAL SPECIFICATIONS

MINIMUM SPACING REQUIREMENTS

Units: inch (mm)



Minimum Outdoor Clearances



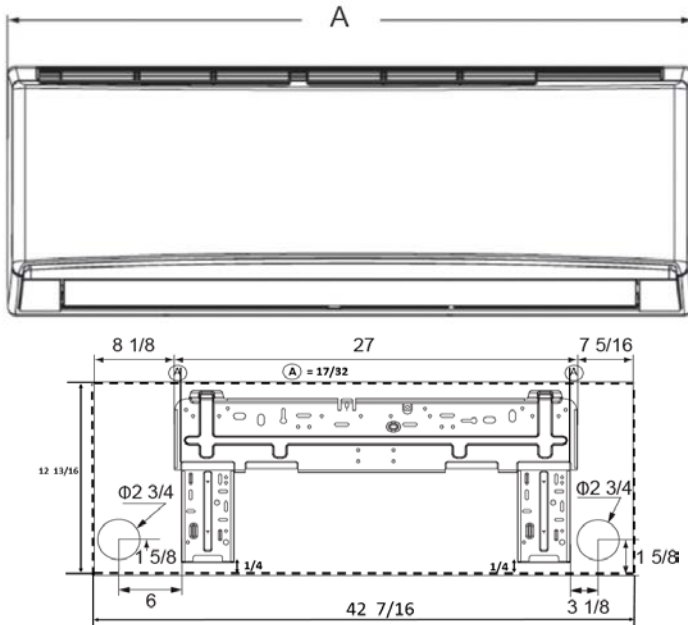
| Outdoor Unit | Minimum Distances in (mm) |
|--------------|------------------------------|
| A | 20 (500) |
| B | 12 (305) |
| C | 20 (500) |
| D | 80 (2032) |
| E | 12 (305) |

DIMENSIONAL SPECIFICATIONS

INDOOR UNIT DIMENSIONS

Model No: TW24HQ3D6DI

Units: inch



| Dimensions | |
|------------|------|
| A | 42.5 |
| B | 12.8 |
| C | 9.7 |

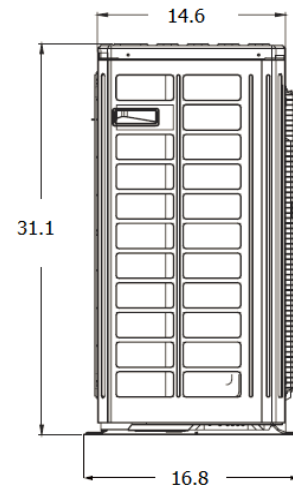
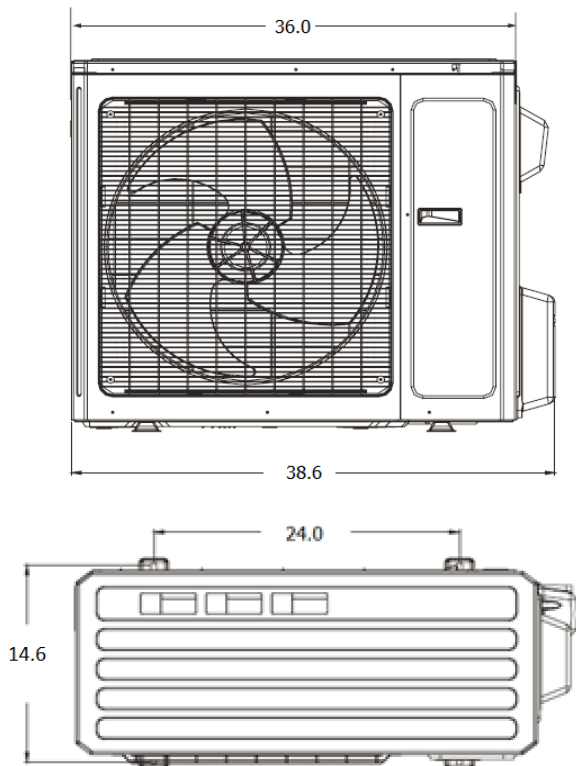
Weight (Net/Shipping) 35.3/41.9 LBS

| | |
|-------------------|------------------|
| Liquid Line Valve | 1/4-in OD Flared |
| Gas Line Valve | 5/8-in OD Flared |
| Drain Connector | 5/8-in OD |

OUTDOOR UNIT DIMENSIONS

Model No: TW24HQ3D6DO

Units: inch



| | |
|-------------------|------------------|
| Liquid Line Valve | 1/4-in OD Flared |
| Gas Line Valve | 5/8-in OD Flared |

Weight (Net/Shipping) 147.7/158.8 LBS

Notes

1. Recommended Interconnecting Cable Type 14 AWG 4 Stranded Copper Conductors THHN 600V Wire
2. Power wiring cable size must comply with applicable national and local codes.
3. Test conditions are based on AHRI 210/240.